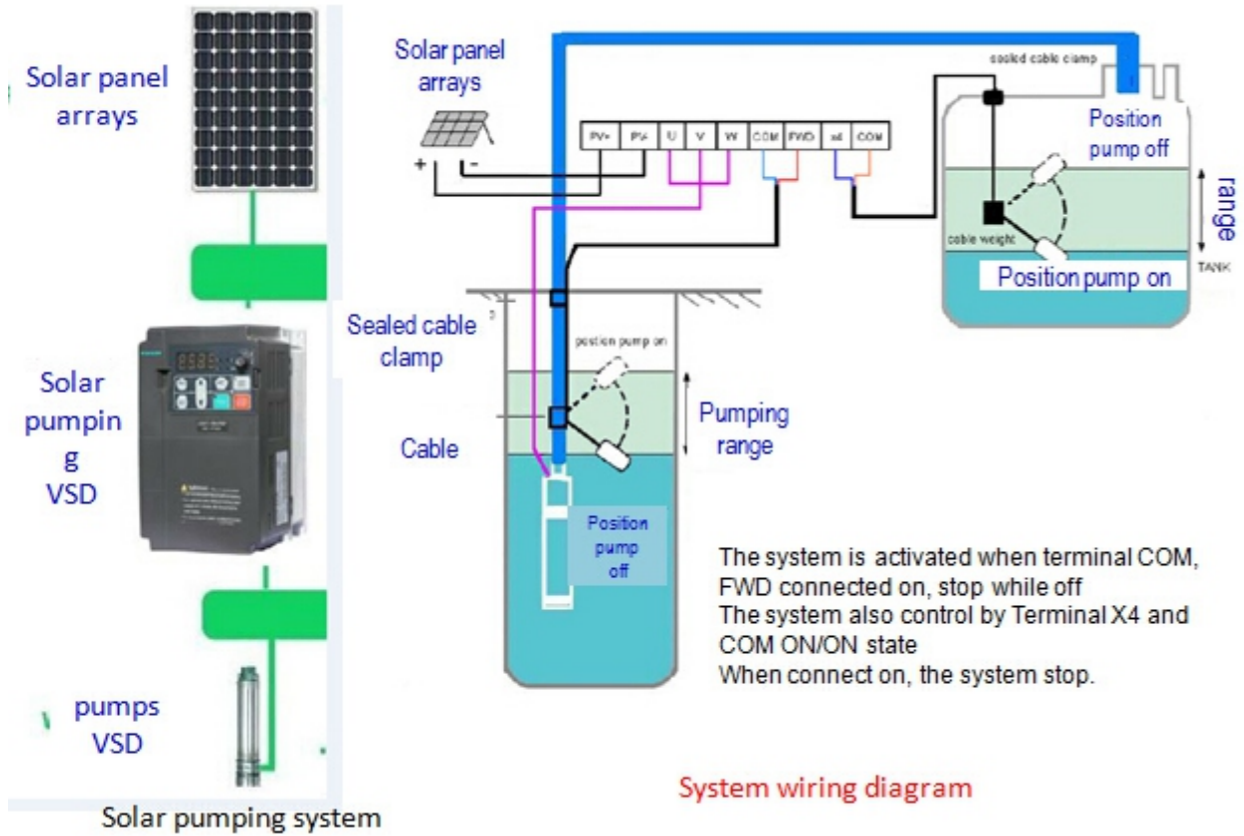


Wiring of controller



Specification 1

Model	Power of Controller (KW)	Power of Solar Arrays(KW)	Max. Input Voltage of Solar Arrays(V)	Range of MPPT(VDC)	Output Current (A)	Output Frequency (Hz)
3Phase 220V output						
SI10-S2-R75	0.75	0.975	390	220~400	4A	0~50
SI10-S2-1R5*	1.5	1.95	390		7A	
SI10-D3-3R7*	2.2	2.86	390		10A	
	3.7	4.81	390		17A	
3Phase 380V output						
SI10-T3-R75	0.75	0.975	780	450~780	2.5A	0~50
SI10-T3-1R5	1.5	1.95	780	450~780	3.7A	0~50
SI10-T3-2R2	2.2	2.86	780	450~780	5A	0~50
SI10-D5-3R7*	3.7	4.81	780	450~780	8.5A	0~50
SI10-D5-5R5*	5.5	7.15	780	450~780	13A	0~50
SI10-D5-7R5*	7.5	9.75	780	450~780	17A	0~50
SI10-D5-011*	11	14.3	780	450~780	25A	0~50
SI10-T3-015	15	19.5	780	450~780	32A	0~50
SI10-T3-018	18	23.4	780	450~780	38A	0~50
SI10-T3-022	22	28.6	780	450~780	45A	0~50
SI10-T3-030	30	39	780	450~780	60A	0~50
SI10-T3-037	37	48.1	780	450~780	75A	0~50
SI10-T3-045	45	58.5	780	450~780	90A	0~50
SI10-T3-055	55	71.5	780	450~780	110A	0~50
SI10-T3-075	75	97.5	780	450~780	150A	0~50
SI10-T3-093	93	120.9	780	450~780	170A	0~50
SI10-T3-110	110	143	780	450~780	210A	0~50
SI10-T3-132	132	171.6	780	450~780	250A	0~50
SI10-T3-160	160	208	780	450~780	300A	0~50

Specification 2

Recommended MPPT voltage range	220~400VDC for 220VAC output 1.5kw to 3.7kw. 350~780VDC, for 380VAC output 1.5kw to 11kw. Bigger power above 15kw only with CVT control. 11kw to 160kw.
Recommended input voltage	350V DC for 220VAC motor output 620V DC for 380V AC motor output
MPPT efficiency	Up to 97%
Input channel	0-10V, 0/4-20mA
Maximum DC power input	400VDC for 220VAC output /780VDC for 380V AC output
Rated output voltage	3-phase, 0-220VAC 3-phase 0-380VAC
Output frequency range	0~50Hz
Max efficiency of the machine	97%
Ambient temperature range	(G-type inverter with water pump)
Cooling method	Air cooling
Protection degree	Ip20
Running mode	MPPT or CVT
Altitude	Below 1000m; above 1000m, derated 1% for every additional 100m.
Standard AC input backup circuit	CE Design based on BAYKEE AC60 series, more specification please refer to AC60 general purpose inverter manual